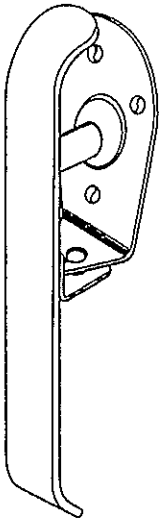


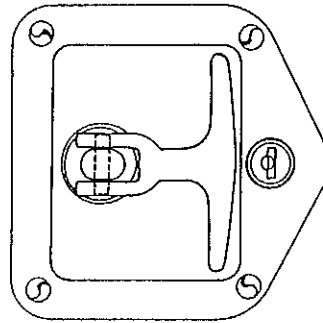
OPTIONAL LOCKING MECHANISMS



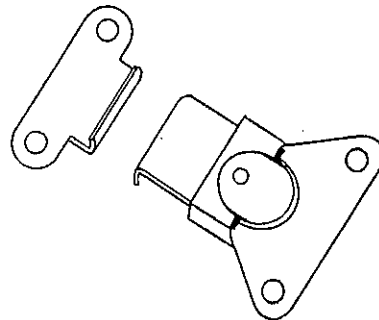
HEAVY DUTY "L" HANDLE
3-point locking system



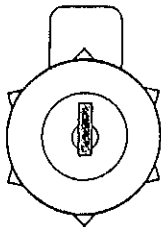
3-POINT LOCKING MECHANISM



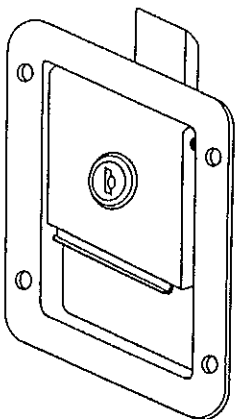
FOLDING "T" HANDLE
3-point locking system



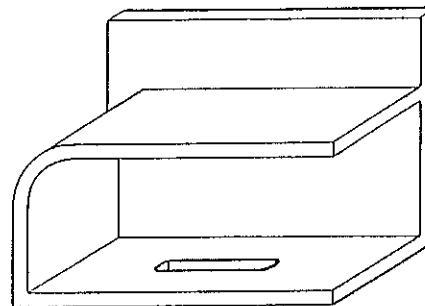
TWIST-LATCH
General duty locking system



CAM LOCKS
Keyed locking system



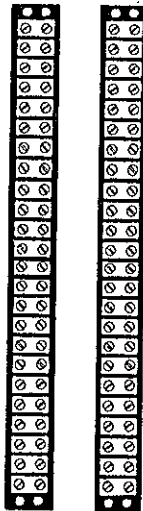
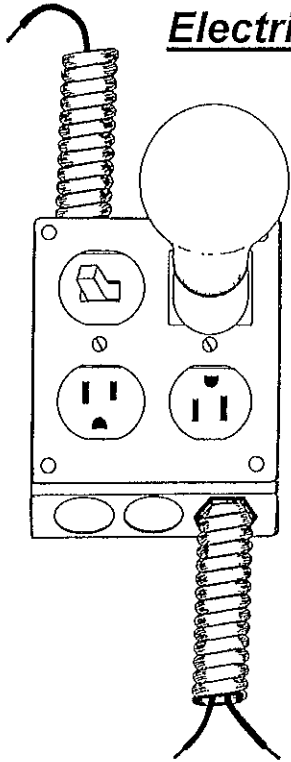
SLAM-LATCH
General duty locking system



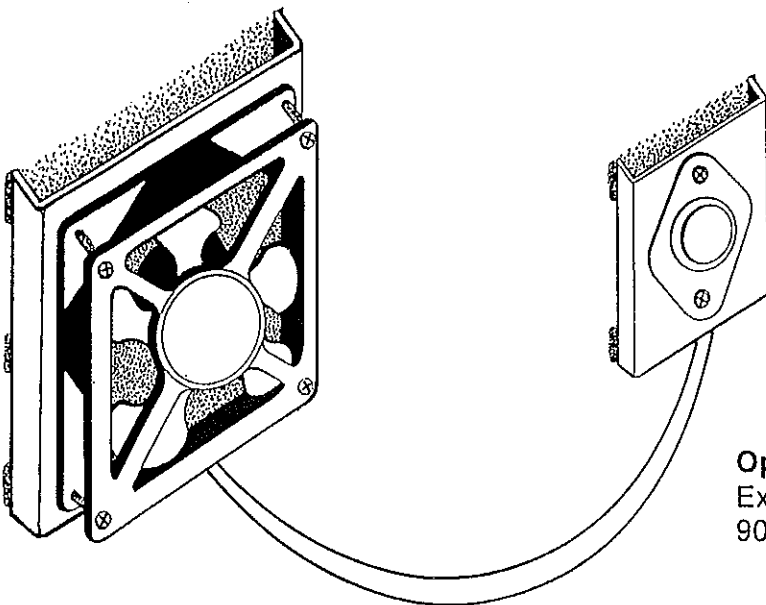
LOCK-BOX SHIELD #LB-1
"Single-Swing" enclosures

“Electrical options”

Electrical Meter & Irrigation Controller Enclosure



Option – AS-110-A - Includes one circuit for light bulb, with on-off switch. One circuit with fulltime 110 VAC outlet. One 110 VAC circuit to controller and two 24-station terminal strips.



Option – AS-FAN-B – Includes 4" heavy-duty Exhaust fan with adjustable thermostat from 90-135 degrees, F.