

ELECTRICAL METER & IRRIGATION CONTROLLER ENCLOSURE
"double door- back-to-back opening"

MILD STEEL

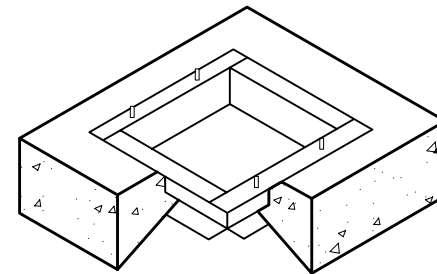
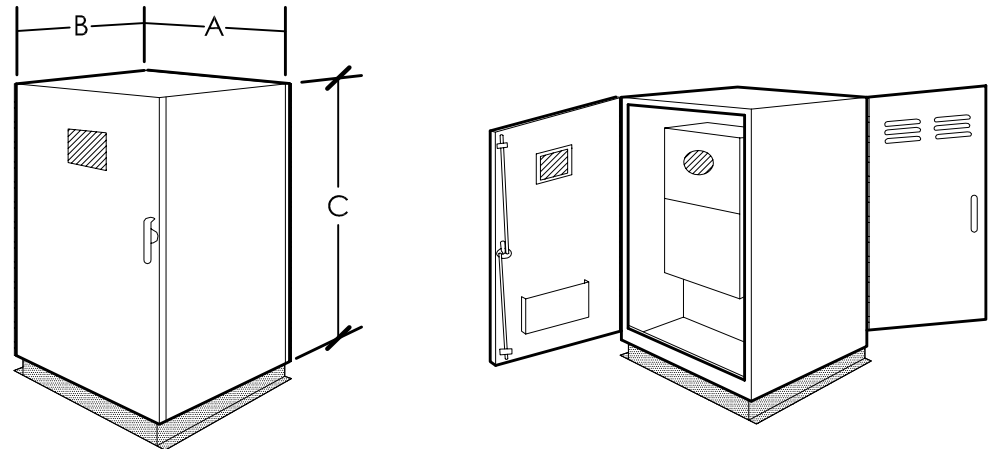
PART NO.	A	B	C	WT.
AS-MC-10	23"	27"	48"	315

- 14 Gauge Mild steel
- Steel hinges (full length & staked)
- Stainless steel hinge pins
- Vandal & weather resistant enclosure is a NEMA 3R rainproof enclosure as listed by Underwriters Laboratories, Inc.
- Safeguard- 3 point locking system
- Pry resistant 1" flanged doors.
- One door with louvers, with rain-guard shield
- (Opposite door) has a vandal resistant 5"x5" Plexiglas window 3/8" thick. "non-opening"
- Neoprene weather stripping (full door) on both doors.
- Std. 3/4" plywood or stainless steel backboard mounted with 4 stainless steel bolts.
- Document tray inside both doors
- Steel fabricated "Universal Mounting Base" with zinc plated hardware
- Limited warranty - 5 years

Finishes for both stainless & mild steel

- Color - Green or Desert Tan - (std.)
- Hot dip galvanized - optional
- (XXL) extra large size enclosure
- Custom colors available - consult mfg.

Electrical component options & sizes



Universal Mounting Base ("Cutaway")
 Custom Sized to "Enclosure Dimensions"

Locking devices/optional handles

- Folding "T" type handles
- Padlock mechanisms
- Combination style locks
- Slam latch & more

ALL-SPEC - ELECTRICAL METER & IRRIGATION CONTROLLER ENCLOSURE "double door- back-to-back opening"