

SOLAR POWERED ENCLOSURE-"front door opening"

STAINLESS STEEL

PART NO.	A	B	C	WT.
ASBF-SS-8000	18"	18"	48"	99

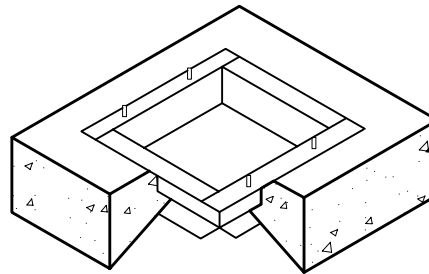
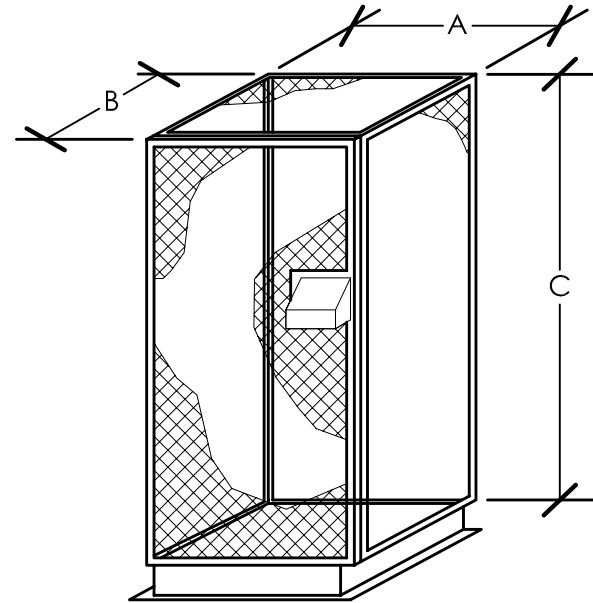
- 1 1/2" X 1 1/2" X 3/16" stainless steel angle
- 1 1/2" #9 flattened expanded stainless steel
- Full-length stainless steel hinge & stainless steel pin (staked).
- Vandal resistant "Safeguard" padlock shield.
- "Front opening," pry resistant 1" flanged door, full size front opening door.
- Stainless steel fabricated "Universal Mounting Base" with Stainless steel nuts, bolts & washers
- Limited warranty - 15 years

Finishes for both stainless & mild steel

- Powder coating - "optional" on stainless steel
- Powder coating - "standard" on mild steel
- Painting - optional

Locking devices/optional handles

- Complete line of single, dual or 3-point locking systems
- Padlock mechanisms



Universal Mounting Base ("Cutaway")
Custom Sized to "Enclosure Dimensions"

ALL-SPEC - SOLAR POWERED ENCLOSURE-"front door opening"