

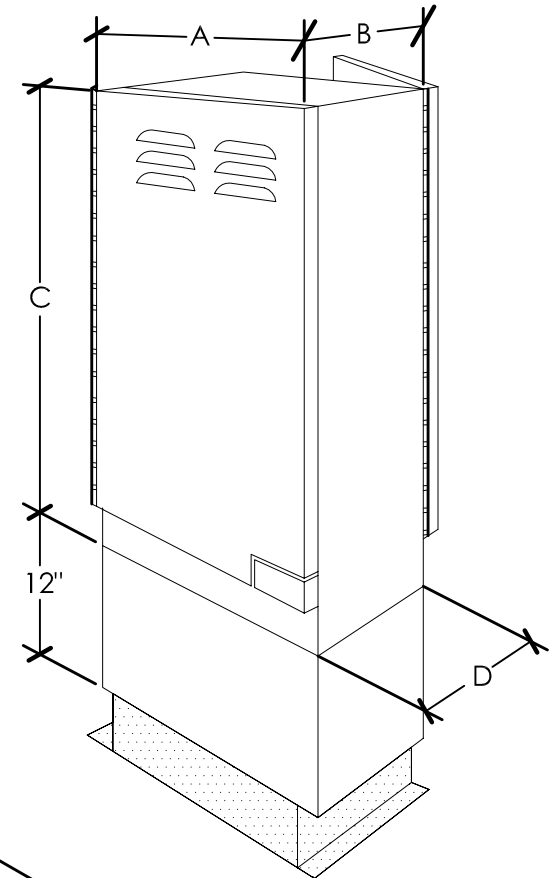
COMMERCIAL ENCLOSURE- "BOTTOM QUICK LATCH"- "back to back doors"
MILD STEEL

PART NO.	A	B	C	D	WT.
ASBO-18D	18"	24"	36"	24"	180
ASBO-24D	24"	24"	36"	24"	210

- 3/16" Mild steel
- Steel hinge & stainless steel pins (full length & staked)
- Vandal & weather resistant enclosure is a NEMA 3R rainproof enclosure as listed by Underwriters Laboratories, Inc.
- Flush mounted "Bottom Quick Latch" with a 3-point locking system
- Pry resistant 2" raised "flush fit" door
- Both doors have louvers with rain-guard shield
- Neoprene weather stripping (full door)
- 3/4" plywood or stainless steel backboard mounted with 4 stainless steel bolts
- Document tray inside door
- Steel fabricated "Universal Mounting Base" with zinc plated hardware
- Limited warranty - 5 years

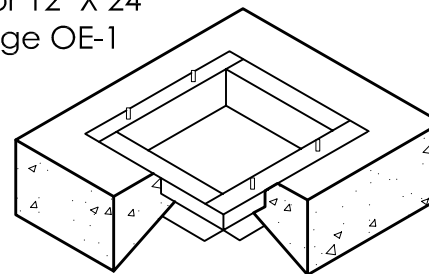
Finishes for both stainless & mild steel

- Powder coating - "optional" on stainless steel
- Powder coating - "standard" on mild steel
- Painting - optional



(optional equipment)

Pedestal Height Extension
 12" X 18" or 12" X 24"
 See Page OE-1



pour-in-place installation
 Universal Mounting Base ("Cutaway")