

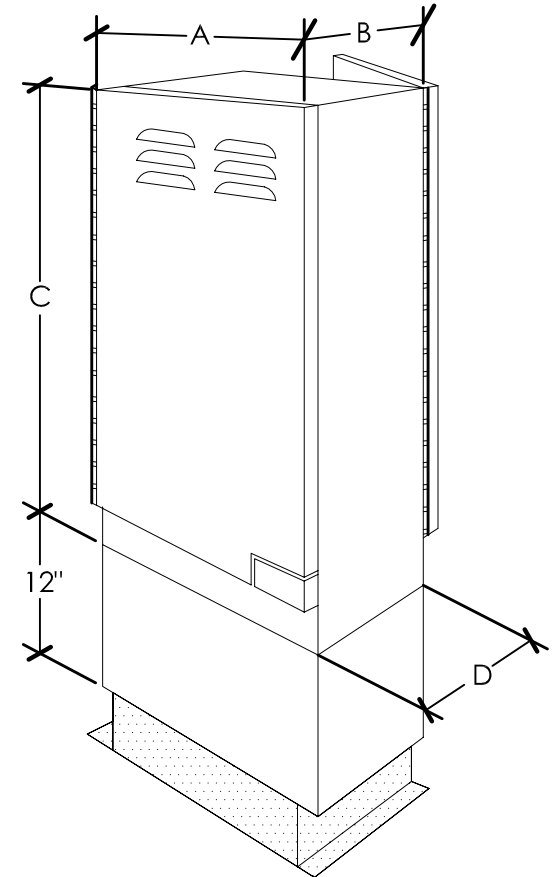
COMMERCIAL ENCLOSURE- "BOTTOM QUICK LATCH"- "back to back doors" STAINLESS STEEL

PART NO.	A	B	C	D	WT.
ASBO-18D-SS	18"	24"	36"	24"	130
ASBO-24D-SS	24"	24"	36"	24"	160

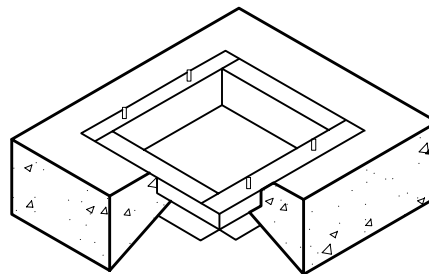
- 100% 12 gauge stainless steel type 304 non magnetic, with #4 finish.
- Stainless steel hinge & pin (staked)
- Vandal & weather resistant enclosure is a NEMA 3R rainproof enclosure as listed by Underwriter's Laboratories, Inc.
- Flush mounted "Bottom Quick Latch" with a 3-point locking system on each door
- Pry resistant 2" raised "flush fit" doors
- Both doors have louvers with rain-guard shield
- Neoprene weather stripping (full door)
- 3/4" plywood or stainless steel backboard mounted with 4 stainless steel bolts
- Document tray inside door
- Stainless steel fabricated "Universal Mounting Base" and hardware
- Limited warranty - 15 years

Finishes for both stainless & mild steel

- Powder coating - "optional" on stainless steel
- Powder coating - "standard" on mild steel
- Painting - optional



Pedestal Height Extension
12" X 18" or 12" X 24"
See Page OE-1



pour-in-place installation
Universal Mounting Base ("Cutaway")

ALL-SPEC-COMMERCIAL ENCLOSURE-"BOTTOM QUICK LATCH"- "back to back doors"