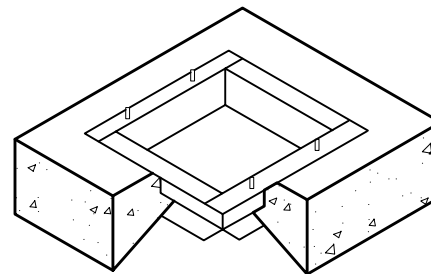
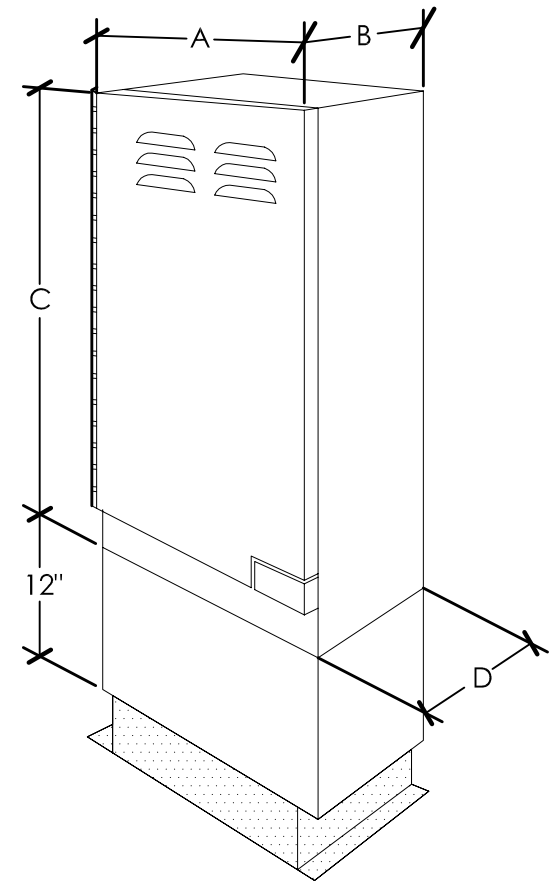


COMMERCIAL ENCLOSURE- "BOTTOM QUICK LATCH" - "single front door"

MILD STEEL

PART NO.	A	B	C	D	WT.
ASBO-18	18"	12"	36"	12"	112
ASBO-24	24"	12"	36"	12"	142

- 3/16" Mild steel
- Steel hinge (full length & staked)
- Vandal & weather resistant enclosure is a NEMA 3R rainproof enclosure as listed by Underwriters Laboratories, Inc.
- 3-point locking system
- Pry resistant 2" raised "flush fit" door
- Front door louvers with rain-guard shield
- Neoprene weather stripping (full door)
- 3/4" plywood or stainless steel backboard mounted with 4 stainless steel bolts
- Document tray inside door
- Steel fabricated "Universal Mounting Base" with zinc plated hardware
- Limited warranty - 5 years



Universal Mounting Base ("Cutaway")
Custom Sized to "Enclosure Dimensions"

Finishes for both stainless & mild steel

- Powder coating - "optional" on stainless steel
- Powder coating - "standard" on mild steel
- Painting - optional

ALL-SPEC

COMMERCIAL ENCLOSURE- "BOTTOM QUICK LATCH" - "single front door"