

"PUMP SHELTER ENCLOSURE"

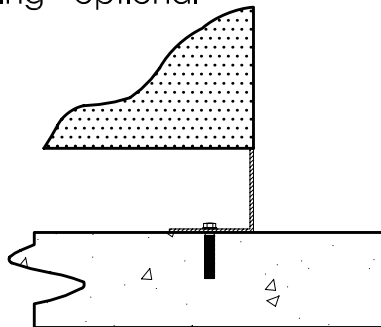
MILD STEEL

PART NO.	A	B	C	WT.
ASPS-30	30"	24"	22"	104
ASPS-36	36"	24"	22"	123
ASPS-42	42"	24"	22"	142

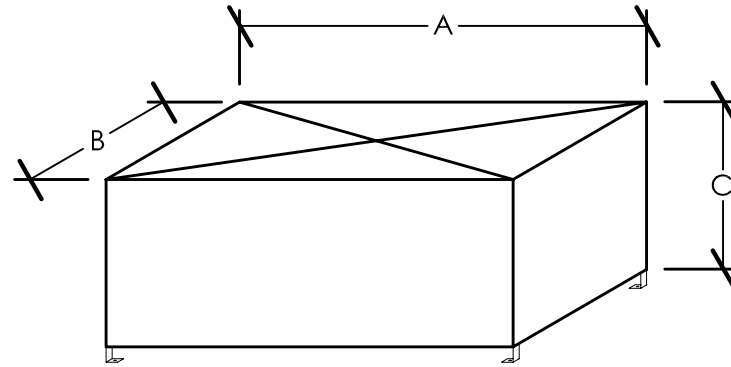
- 14 gauge mild steel
- Crested top with 1/2" rise @ apex, self draining roof.
- Bolt-down cleats with 9/16" center holes, welded to the enclosure.
- Limited warranty - 5 years
-

Finishes for both stainless & mild steel

- Powder coating - "optional" on stainless steel
- Powder coating - "standard" on mild steel
- Painting - optional



BOLT DOWN DETAIL



[Installation note]

This "Pump Shelter" enclosure is a permanent and stationary structure when bolted down to the poured concrete base. The enclosure must be un-bolted to access the pump equipment inside.

For guidelines on the poured concrete base construction and the bolting down of this enclosure use the [installation detail] for the "top opening" backflow preventer enclosure.

ALL-SPEC - "PUMP SHELTER ENCLOSURE"