

## "PUMP SHELTER ENCLOSURE"

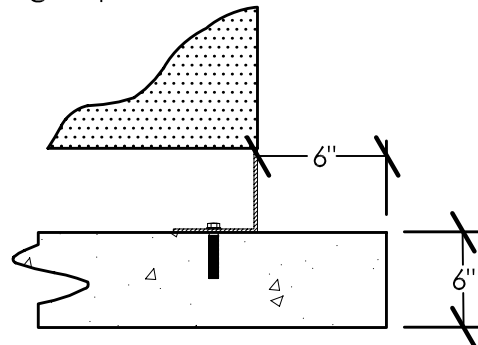
### STAINLESS STEEL

PART NO.	A	B	C	WT.
ASPS-SS-30	30"	24"	22"	65
ASPS-SS-36	36"	24"	22"	77
ASPS-SS-42	42"	24"	22"	89

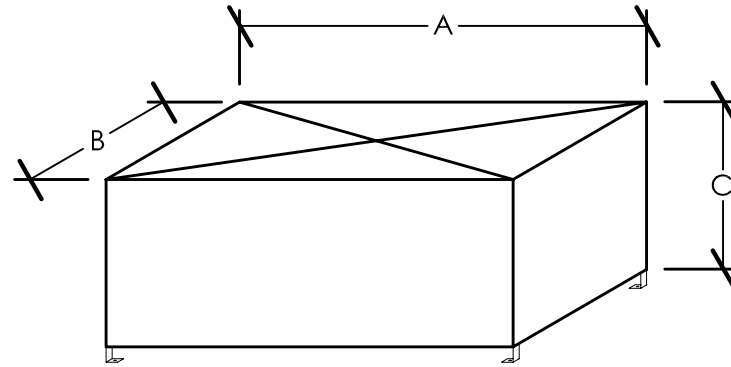
- 14 gauge stainless steel type 304 non magnetic, with #4 finish
- Crested top with 1/2" rise @ apex, self draining roof.
- Bolt-down cleats with 9/16" center holes, welded to the enclosure.
- Limited warranty -15 years

#### Finishes for both stainless & mild steel

- Powder coating - "optional" on stainless steel
- Powder coating - "standard" on mild steel
- Painting - optional



BOLT DOWN DETAIL



#### **[Installation note]**

This "Pump Shelter" enclosure is a permanent and stationary structure when bolted down to the poured concrete base. The enclosure must be un-bolted to access the pump equipment inside.

For guidelines on the poured concrete base construction and the bolting down of this enclosure use the [installation detail] for the "top opening" backflow preventer enclosure.

ALL-SPEC - "PUMP SHELTER ENCLOSURE"