

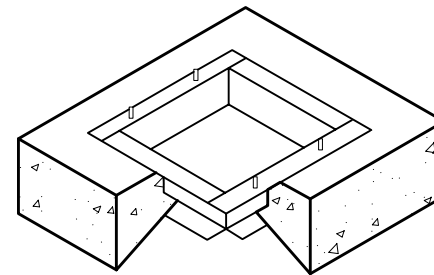
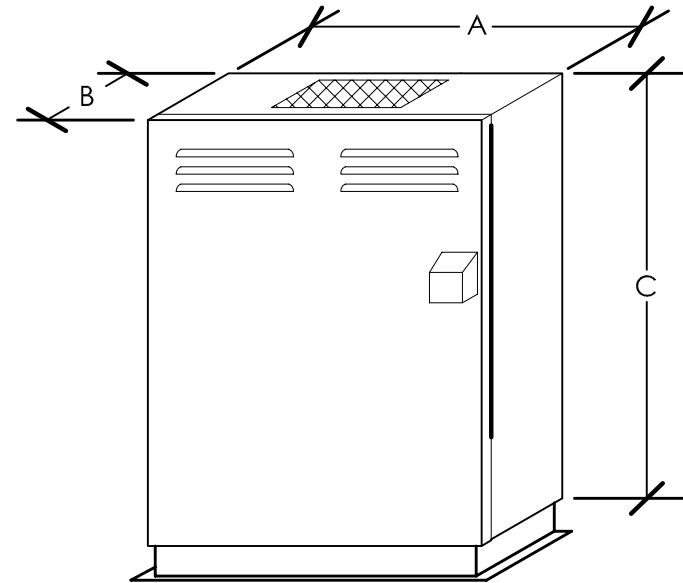
"SOLAR POWERED ENCLOSURE"- "solid style"
STAINLESS STEEL

PART NO.	A	B	C	WT.
ASST-8000-SS	18"	18"	30"	83

- 12 gauge stainless steel type 304 non magnetic, with #4 finish
- Stainless steel hinge & pin (staked)
- Vandal & weather resistant enclosure
- Safeguard padlock shield
- Pry resistant 1" flanged door
- Front door louvers with rain-guard shield
- Solar access port-stainless steel 3/4" expanded metal or 3/8" Plexiglas.
- Neoprene weather stripping (full door)
- 3/4" plywood or stainless steel backboard mounted with 4 stainless steel bolts.
- Document tray inside door.
- Steel fabricated "Universal Mounting Base" with stainless steel hardware.
- Limited warranty - 15 years

Locking device options, stainless & mild steel

- Single, dual or 3 point locking systems
- Key type handles
- Padlock mechanisms
- Slam latch & more



Universal Mounting Base ("Cutaway")
 Custom Sized to "Enclosure Dimensions"

Finishes for both stainless & mild steel

- Powder coating - "optional" on stainless steel
- Powder coating - "standard" on mild steel
- Painting - optional

ALL-SPEC - "SOLAR POWERED ENCLOSURE"- "solid style"