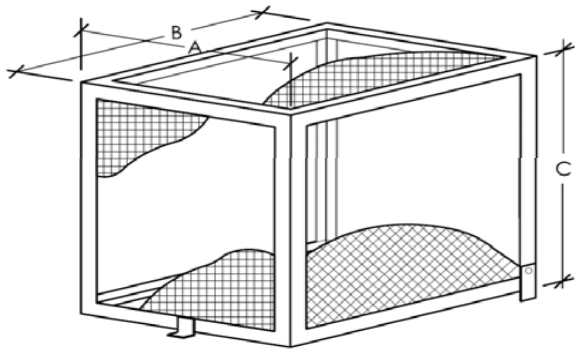


# BACKFLOW PREVENTER ENCLOSURES

## ALL-SPEC ENCLOSURES SUGGESTED 3/4" - 2" BACKFLOW ASSEMBLY SIZING CHART

ALL-SPEC MODEL	FEBCO						WATTS/AMES				WATTS				WILKINS		CONBRACO	
	825YA		825Y		860		009/4000B		009A		909		975/975XL		4200 SERIES			
	SIZE	LENGTH	SIZE	LENGTH	SIZE	LENGTH	SIZE	LENGTH	SIZE	LENGTH	SIZE	LENGTH	SIZE	LENGTH	SIZE	LENGTH		
BFE2418	3/4" - 1"	10"																
BFE3024	1 1/2"	14 1/4"	3/4"	19 1/2"	3/4"	18 1/4"	3/4"	19 1/2"	3/4" - 1"	16 1/2"			3/4"	19 1/2"	3/4"	21 1/4"		
	2"	14 7/8"	1"	20 3/4"	1"	20 1/2"			1 1/2"	19 7/8"			1"	21"	1"	23 3/8"		
BFE4230			1 1/2"	28 1/4"	1 1/2"	28"	1"	24 3/4"	2"	24 3/8"	3/4"	24 3/4"	1 1/4"	27 1/2"				
					2"	31"	1 1/4"	28"			1"	25 1/4"	1 1/2"	28 3/4"				
			2"	31"			1 1/2"	29 1/8"			1 1/4"	31 1/8"	2"	31 3/4"	1 1/2"	31"		
							2"	34 5/8"			1 1/2"	33"			2"	35"		
BFE4830											2"	36 7/8"						



Available in: Aluminum, Stainless Steel, Mild Steel
Backflow Enclosure Dimentions:
BFE2418 - 12W x 24L x 18H Inside Dim - 9W x 21L x 18H
BFE3024 - 12W x 30L x 24H Inside Dim - 9W x 27L x 24H
BFE4230 - 18W x 42L x 30H Inside Dim - 15W x 39L x 30H
BFE4830 - 18W x 48L x 30H Inside Dim - 15W x 45L x 30H

**Notes:**

- 1) Length Shown for backflow assemblies are based on close nipples on the device, always check the installed lenth and height of the assembly against the inside useable length and height of All-Spec Enclosures.
- 2) Do not center a hinged enclosure over an assembly, set hinged end of enclosure close to riser for maximum clearance.
- 3) All-Spec Enclosures are available for all backflow preventers 2 1/2" - 10". Please call for sizing & model number.
- 4) Powder Coating on Alluminum and Mild Steel.