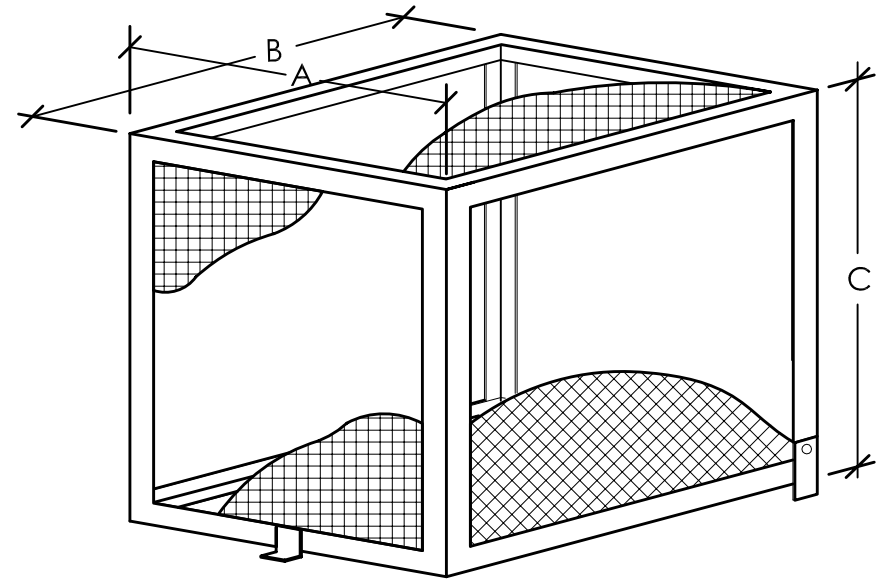


ALUMINUM - Single Swing

PART NO.	A	B	C	*SIZE	WT.
BFEAL-2418	12"	24"	18"	3/4"	36
BFEAL-2424	12"	24"	24"	3/4"	39
BFEAL-3024	12"	30"	24"	1"-11/4"	46
BFEAL-3030	18"	30"	30"	1"-11/4"	55
BFEAL-4230	18"	42"	30"	1 1/2"-2"	64
BFEAL-4830	18"	48"	30"	1 1/2"-2"	65
BFEAL-5430	18"	54"	30"	1 1/2"-2"	79

- 1 1/2" x 1 1/2" x 3/16" Aluminum Type 5052 angle
- 1 1/2" #9 flattened expanded metal
- Aluminum padlock plate, welded to enclosure
- (1 ea.) 3/8" Aluminum padlock U-bolt welded onto a 1/4" plate ready for a (pour-in-place) installation
- (2 ea.) 1/4" hinge plates ready for a (pour-in-place) installation.
- (2 ea.) zinc plated nuts, bolts & washers
- (2 ea.) 3/8" diameter aluminum lift handles welded to enclosure.
- Limited warranty, 10 years
- Powder coating optional



* size backflow that will fit enclosure

PLOT DATE: 06-20-06

ALL-SPEC

SINGLE SWING BFE ENCLOSURE SPECIFICATIONS