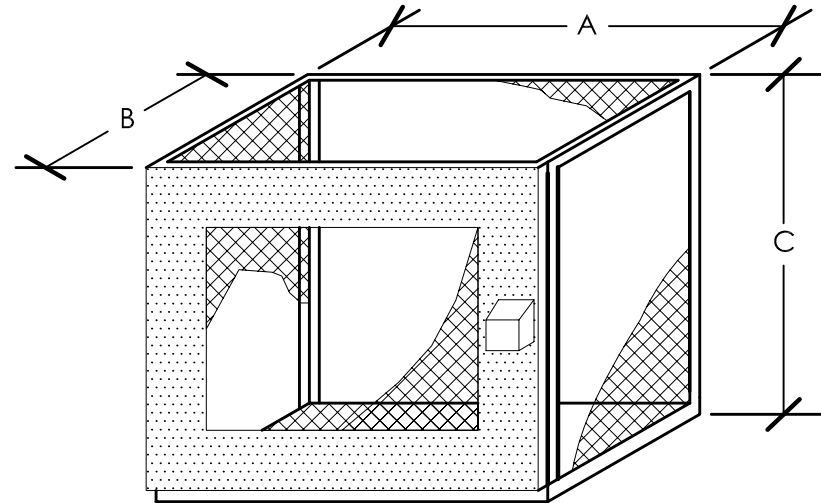


BACKFLOW PREVENTER ENCLOSURE - "Febco-master series" (front door - opening)

MILD STEEL

PART NO.	A	B	C	SIZE	WT.
BFE-44M	44"	44"	45"	4"	172
BFE-48M	48"	48"	49"	6"	189
BFE-51M	51"	51"	56"	8"	206
BFE-62M	62"	57"	56"	10"	228

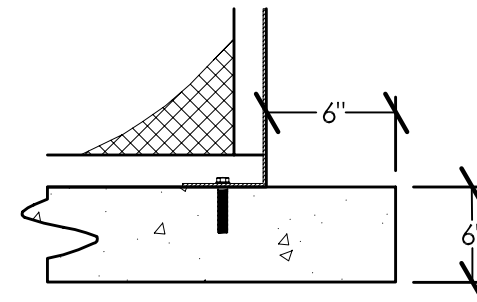


- 1 1/2" X 1 1/2" X 3/16" mild steel angle
- 1 1/2" #9 flattened expanded metal
- 3/16" door frame, mild steel
- Steel hinge, stainless steel hinge pins
- Safeguard padlock shield
- Pry resistant 1" flanged door
- Mild steel bolt down plates with 9/16" center hole, welded to frame on the inside corners of the enclosure.

- Limited warranty - 5 years

Finishes for both stainless & mild steel

- Powder coating - "optional" on stainless steel
- Powder coating - "standard" on mild steel
- Painting - optional



BOLT DOWN DETAIL