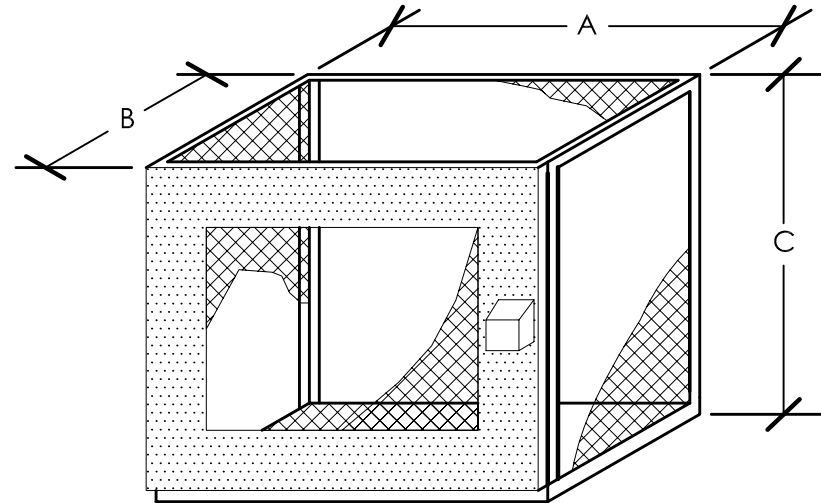


**BACKFLOW PREVENTER ENCLOSURE - "Febco-master series" (front door - opening)**

**STAINLESS STEEL**

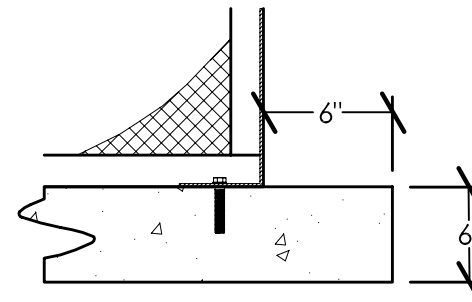
PART NO.	A	B	C	SIZE	WT.
BFE-SS-44M	44"	44"	45"	4"	172
BFE-SS-48M	48"	48"	49"	6"	189
BFE-SS-51M	51"	51"	56"	8"	206
BFE-SS-62M	62"	57"	56"	10"	228



- 1 1/2" X 1 1/2" X 3/16" stainless steel angle
- 1 1/2" #9 flattened expanded stainless steel
- 12 gauge door frame, stainless steel, type 304 non-magnetic, with #4 finish
- Stainless steel hinge & pin (staked)
- Safeguard padlock shield
- Pry resistant 1" flanged door
- Stainless steel bolt down plates with 9/16" center hole, welded to frame on the inside corners of the enclosure.
- Limited warranty - 15 years

Finishes for both stainless & mild steel

- Powder coating - "optional" on stainless steel
- Powder coating - "standard" on mild steel
- Painting - optional



BOLT DOWN DETAIL