

BACKFLOW PREVENTER ENCLOSURE-"swing style" -solid

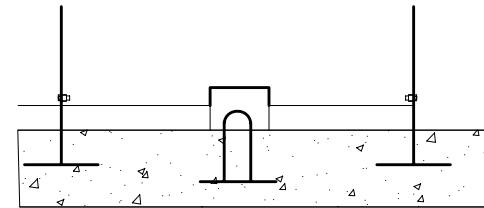
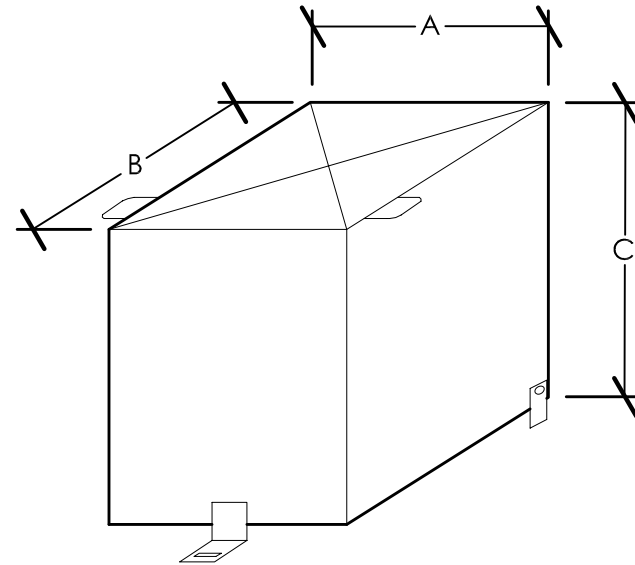
MILD STEEL

PART NO.	A	B	C	SIZE	WT.
BFESD-2418	12"	24"	18"	3/4"	90
BFESD-2424	12"	24"	24"	3/4"	96
BFESD-3024	12"	30"	24"	1-1 1/4"	114
BFESD-3030	18"	30"	30"	1-1 1/4"	138
BFESD-4230	18"	42"	30"	1-1/2"-2"	158
BFESD-4830	18"	48"	30"	1-1/2"-2"	176

- 14 Gauge mild steel
- Crested top with a 1/2" rise @ the apex:
self-draining roof
- Padlock Plate welded to enclosure
- (1 ea.) 3/8" steel Padlock U-Bolt welded
onto a 1/4" plate, ready for (pour-in-place)
installation
- 1/4" Steel Hinge Plates - ready for
(pour-in-place) installation
- Zinc plated nuts, bolts & washers
- 3/8" diameter steel lift handles
welded to the enclosure
- Limited warranty - 5 years

Finishes for both stainless & mild steel

- Powder coating - "optional" on stainless steel
- Powder coating - "standard" on mild steel
- Painting - optional



POUR-IN-PLACE-DETAIL

ALL-SPEC - BACKFLOW PREVENTER ENCLOSURE-"swing style" -solid