

BACKFLOW PREVENTER ENCLOSURE-"swing style" -solid

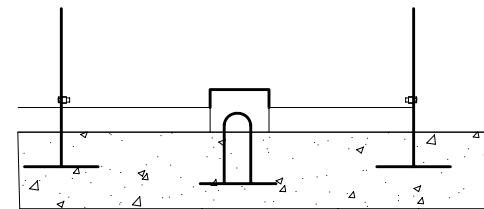
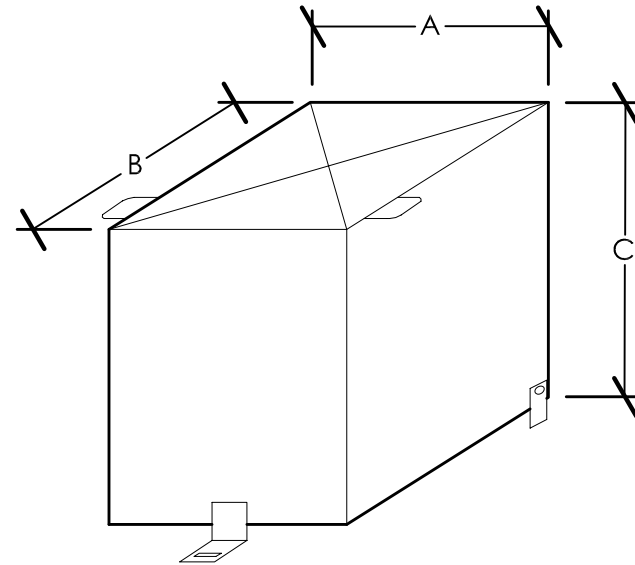
STAINLESS STEEL

PART NO.	A	B	C	SIZE	WT.
BFESD-SS-2418	12"	24"	18"	3/4"	56
BFESD-SS-2424	12"	24"	24"	3/4"	60
BFESD-SS-3024	12"	30"	24"	1-1 1/4"	71
BFESD-SS-3030	18"	30"	30"	1-1 1/4"	86
BFESD-SS-4230	18"	42"	30"	1-1/2"-2"	99
BFESD-SS-4830	18"	48"	30"	1-1/2"-2"	110

- 14 gauge stainless steel type 304 non magnetic, with #4 finish.
- Crested top with a 1/2" rise @ the apex: self-draining roof
- Stainless steel Padlock Plate attached
- 3/8" steel Padlock U-Bolt welded onto a 1/4" plate, ready for (pour-in-place) installation
- 1/4" Stainless Hinge Plates - ready for (pour-in-place) installation
- Stainless steel nuts, bolts & washers
- 3/8" diameter stainless steel lift handles welded to the enclosure
- Limited warranty - 15 years

Finishes for both stainless & mild steel

- Powder coating - "optional" on stainless steel
- Powder coating - "standard" on mild steel
- Painting - optional



POUR-IN-PLACE-DETAIL

ALL-SPEC - BACKFLOW PREVENTER ENCLOSURE-"swing style" -solid