

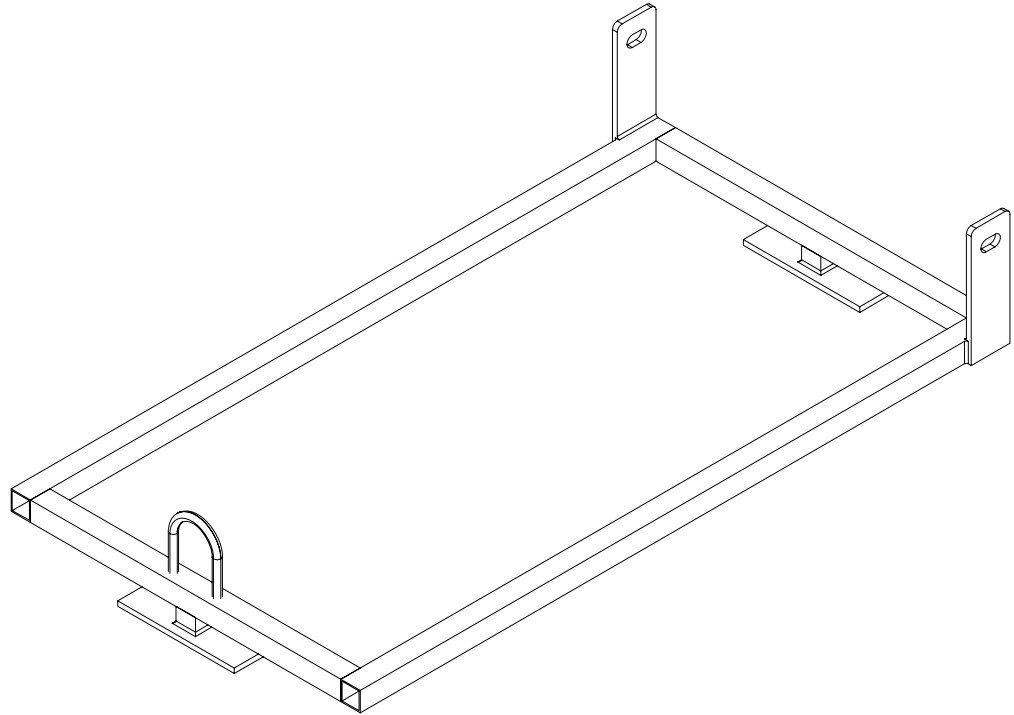
## CAGE SETTER - BFE

# ALUMINUM

<u>PART NO.</u>	<u>FITS</u>
CSAL - 2418	BFE - 2418
CSAL - 2424	BFE - 2424
CSAL - 3024	BFE - 3024
CSAL - 3030	BFE - 3030
CSAL - 4230	BFE - 4230
CSAL - 4830	BFE - 4830
CSAL - 5430	BFE - 5430

### ALUMINUM

- 1/8" x 1" x 1" Square Tube
- 3/8" Round Locking Hoop
- 1/4" Thick Hinges



The cage setters come complete with all the hardware needed to properly mount the cage (nuts, bolts & washers). Cage setters must be positioned in the concrete so that the top of the hoop and hinge assembly are exposed 1 1/2" above the poured, finished concrete base. The concrete base must be constructed to local code. If none exist, construct the base 6" in depth and 6" longer and wider than the outside dimensions of the cage setter.

**ALL-SPEC - CAGE SETTER - BFE**