

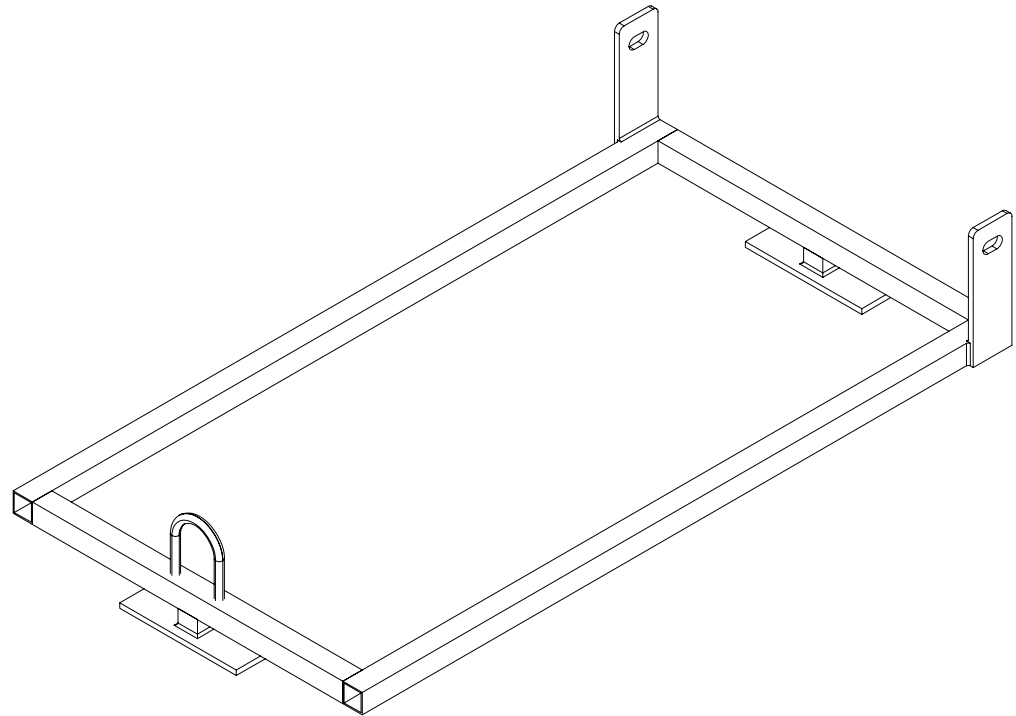
CAGE SETTER - BFE

STAINLESS STEEL

<u>PART NO.</u>	<u>FITS</u>
CSSS - 2418	BFE - 2418
CSSS - 2424	BFE - 2424
CSSS - 3024	BFE - 3024
CSSS - 3030	BFE - 3030
CSSS - 4230	BFE - 4230
CSSS - 4830	BFE - 4830
CSSS - 5430	BFE - 5430

STAINLESS STEEL

- 1/8" x 1" x 1" Square Tube
- 3/8" Round Locking Hoop
- 1/4" Thick Hinges



The cage setters come complete with all the hardware needed to properly mount the cage (nuts, bolts & washers). Cage setters must be positioned in the concrete so that the top of the hoop and hinge assembly are exposed 1 1/2" above the poured, finished concrete base. The concrete base must be constructed to local code. If none exist, construct the base 6" in depth and 6" longer and wider than the outside dimensions of the cage setter.

ALL-SPEC - CAGE SETTER - BFE