

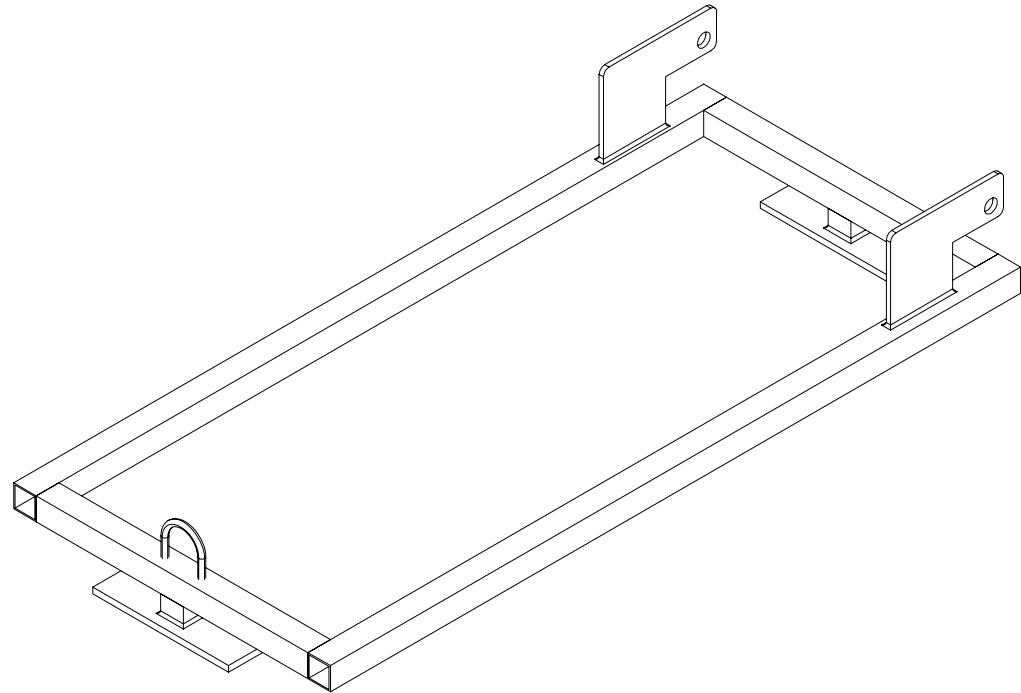
## CAGE SETTER - VB

### ALUMINUM

| <u>PART NO.</u> | <u>FITS</u> |
|-----------------|-------------|
| CSVBAL -1218    | VBAL - 1218 |
| CSVBAL -2424    | VBAL - 2424 |
| CSVBAL -3024    | VBAL - 3024 |
| CSVBAL -3030    | VBAL - 3030 |
| CSVBAL -4230    | VBAL - 4230 |
| CSVBAL -4830    | VBAL - 4830 |
| CSVBAL -6632    | VBAL - 6632 |

#### ALUMINUM

- 1/8" x 1" x 1" Square Tube
- 1/4" Round Locking Hoop
- 3/16" Thick Hinges



The cage setters come complete with all the hardware needed to properly mount the cage (nuts, bolts & washers). Cage setters must be positioned in the concrete so that the top of the hoop and hinge assembly are exposed 1 1/2" above the poured, finished concrete base. The concrete base must be constructed to local code. If none exist, construct the base 6" in depth and 6" longer and wider than the outside dimensions of the cage setter.

ALL-SPEC - **CAGE SETTER - VB**