

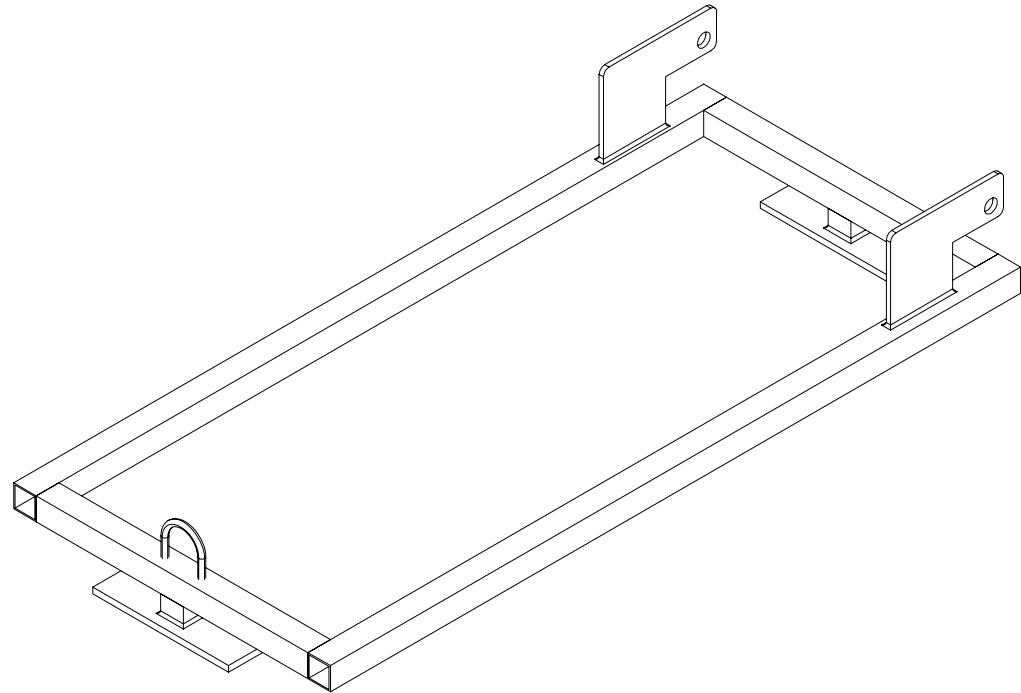
CAGE SETTER - VB

MILD STEEL

<u>PART NO.</u>	<u>FITS</u>
CSVB -1218	VB - 1218
CSVB -2424	VB - 2424
CSVB -3024	VB - 3024
CSVB -3030	VB - 3030
CSVB -4230	VB - 4230
CSVB -4830	VB - 4830
CSVB -6632	VB - 6632

MILD STEEL

- 1/8" x 1" x 1" Square Tube
- 1/4" Round Locking Hoop
- 3/16" Thick Hinges



The cage setters come complete with all the hardware needed to properly mount the cage (nuts, bolts & washers). Cage setters must be positioned in the concrete so that the top of the hoop and hinge assembly are exposed 1 1/2" above the poured, finished concrete base. The concrete base must be constructed to local code. If none exist, construct the base 6" in depth and 6" longer and wider than the outside dimensions of the cage setter.

ALL-SPEC - CAGE SETTER - VB