

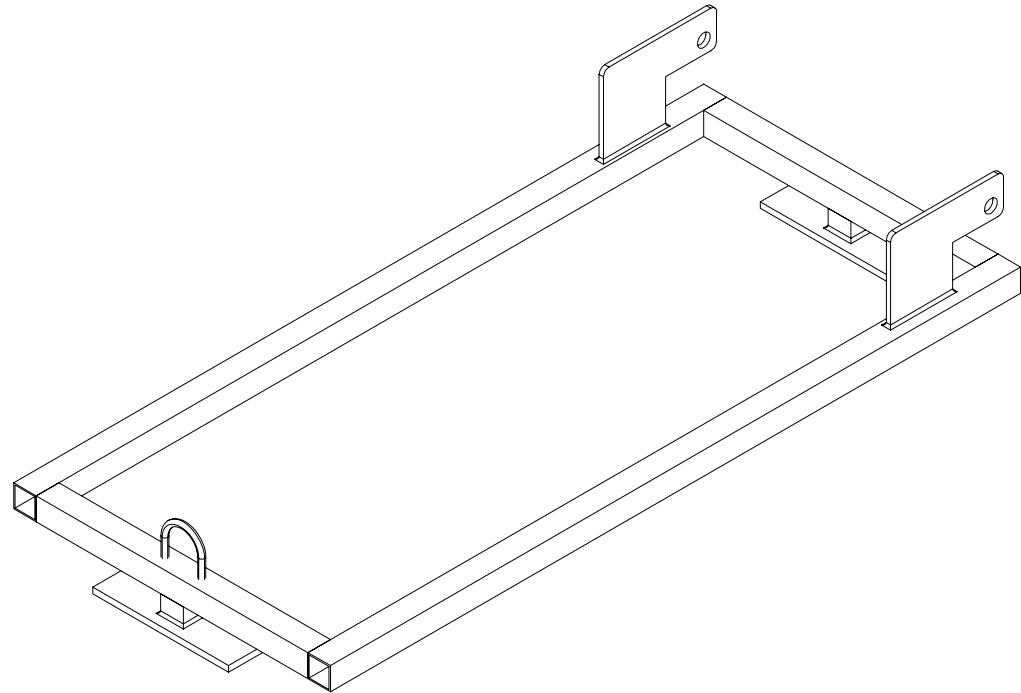
CAGE SETTER - VB

STAINLESS STEEL

<u>PART NO.</u>		<u>FITS</u>
CSVBS -1218	—————	VBSS - 1218
CSVBS -2424	—————	VBSS - 2424
CSVBS -3024	—————	VBSS - 3024
CSVBS -3030	—————	VBSS - 3030
CSVBS -4230	—————	VBSS - 4230
CSVBS -4830	—————	VBSS - 4830
CSVBS -6632	—————	VBSS - 6632

STAINLESS STEEL

- 1/8" x 1" x 1" Square Tube
- 1/4" Round Locking Hoop
- 3/16" Thick Hinges



The cage setters come complete with all the hardware needed to properly mount the cage (nuts, bolts & washers). Cage setters must be positioned in the concrete so that the top of the hoop and hinge assembly are exposed 1 1/2" above the poured, finished concrete base. The concrete base must be constructed to local code. If none exist, construct the base 6" in depth and 6" longer and wider than the outside dimensions of the cage setter.

ALL-SPEC - **CAGE SETTER - VB**