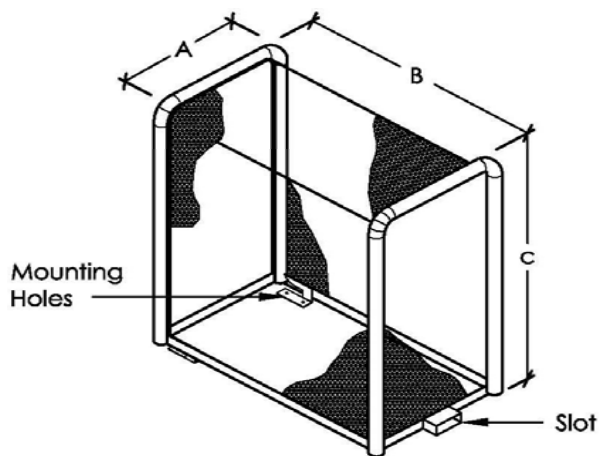


VANDAL BUSTER

ALL-SPEC ENCLOSURES SUGGESTED 3/4" - 2" BACKFLOW ASSEMBLY SIZING CHART

| ALL-SPEC MODEL | FEBCO | | | | | | WATTS/AMES | | | | WATTS | | | | WILKINS | | CONBRACO | |
|----------------|-----------|---------|--------|---------|------|---------|------------|---------|-----------|---------|--------|---------|-----------|---------|-------------|---------|----------|--|
| | 825YA | | 825Y | | 860 | | 009/4000B | | 009A | | 909 | | 975/975XL | | 4200 SERIES | | | |
| | SIZE | LENGTH | SIZE | LENGTH | SIZE | LENGTH | SIZE | LENGTH | SIZE | LENGTH | SIZE | LENGTH | SIZE | LENGTH | SIZE | LENGTH | | |
| VB2420 | 3/4" - 1" | 10" | | | | | | | | | | | | | | | | |
| VB2424 | 1 1/2" | 14 1/4" | 3/4" | 19 1/2" | 3/4" | 18 1/4" | 3/4" | 19 1/4" | 3/4" - 1" | 16 1/2" | | | 3/4" | 19 1/2" | 3/4" | 21 1/4" | | |
| | 2" | 14 7/8" | 1" | 20 3/4" | 1" | 20 1/2" | | | 1 1/2" | 19 7/8" | | | 1" | 21" | 1" | 23 3/8" | | |
| VB3024 | | | 1 1/2" | 28 1/4" | | 26" | 1" | 24 3/4" | 2" | 24 3/8" | 3/4" | 24 3/4" | 1 1/4" | 27 1/2" | | | | |
| | | | | | 2" | 31" | 1 1/4" | 28" | | | 1" | 25 1/4" | 1 1/2" | 28 3/4" | | | | |
| VB4230 | | | 2" | 31" | | | 1 1/2" | 29 1/8" | | | 1 1/4" | 31 1/8" | 2" | 31 3/4" | 1 1/2" | 31" | | |
| | | | | | | | 2" | 34 5/8" | | | 1 1/2" | 33" | | | 2" | 35" | | |
| VB4830 | | | | | | | | | | | 2" | 36 7/8" | | | | | | |



| |
|---------------------------------------|
| Available in: |
| Aluminum, Stainless Steel, Mild Steel |
| Vandal Buster Dimensions: |
| VB2420 - 12W x 24L x 20H |
| VB2424 - 12W x 24L x 24H |
| VB3024 - 12W x 30L x 24H |
| VB4230 - 16W x 42L x 30H |
| VB4830 - 16W x 48L x 30H |

Notes:

- 1) Length Shown for backflow assemblies are based on close nipples on the device, always check the installed length and height of the assembly against the inside useable length and height of All-Spec Enclosures.
- 2) Do not center a hinged enclosure over an assembly, set hinged end of enclosure close to riser for maximum clearance.
- 3) All-Spec Enclosures are available for all backflow preventers 2 1/2" - 10". Please call for sizing & model number.
- 4) Powder Coating on Alluminum and Mild Steel.