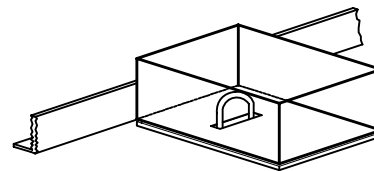
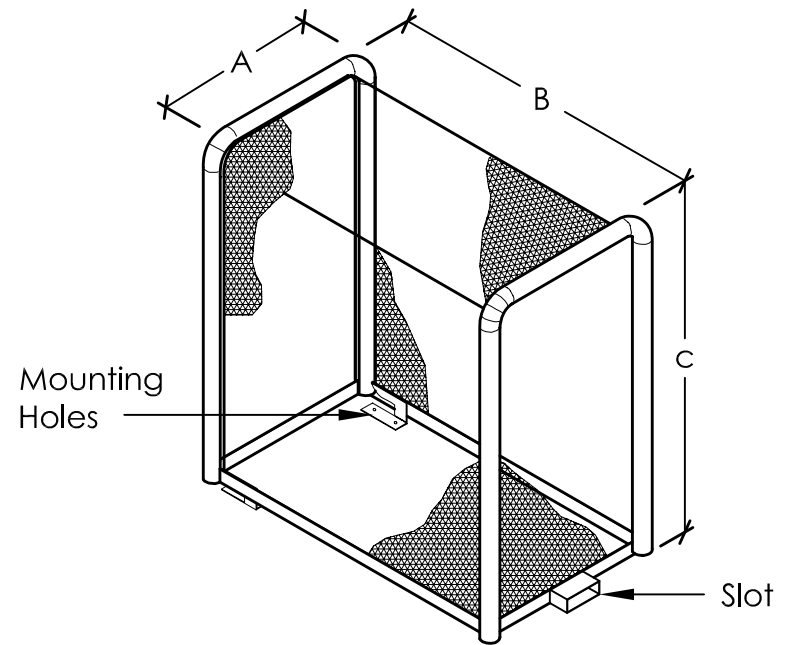


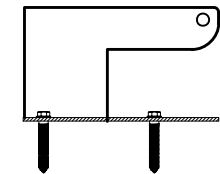
ALUMINUM - Single Swing

PART NO.	A	B	C	*Size	WT.
VB-AL-1218	12"	12"	18"	3/4"	20
VB-AL-2424	12"	24"	24"	3/4"	23
VB-AL-3024	12"	30"	30"	1-11/4"	26
VB-AL-3030	16"	30"	30"	1-11/4"	30
VB-AL-4230	16"	42"	30"	1-1/4-2"	36
VB-AL-4830	16"	48"	30"	1-1/4-2"	40
VB-AL-6623	18"	66"	32"	1-1/4-2"	54

- 1 1/4" Diameter tubular Type 5052 Aluminum
- 1" x 1/8" angle - aluminum frame Type 6061-T6
- 1/2" - #13 flattened mesh expanded metal -Type 5005-H34
- (2 ea.) 1/4" aluminum hinge plates
- 10 Year Warranty
- (1 ea.) lock box (welded to enclosure)
- Powder coating optional



Inter-Lock Lock Box



Inter-Lock Hinge Plate

* size backflow that will fit enclosure

PLOT DATE: 06-20-06