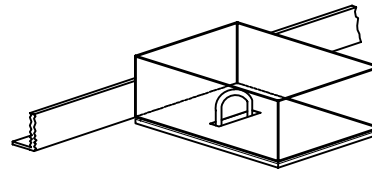
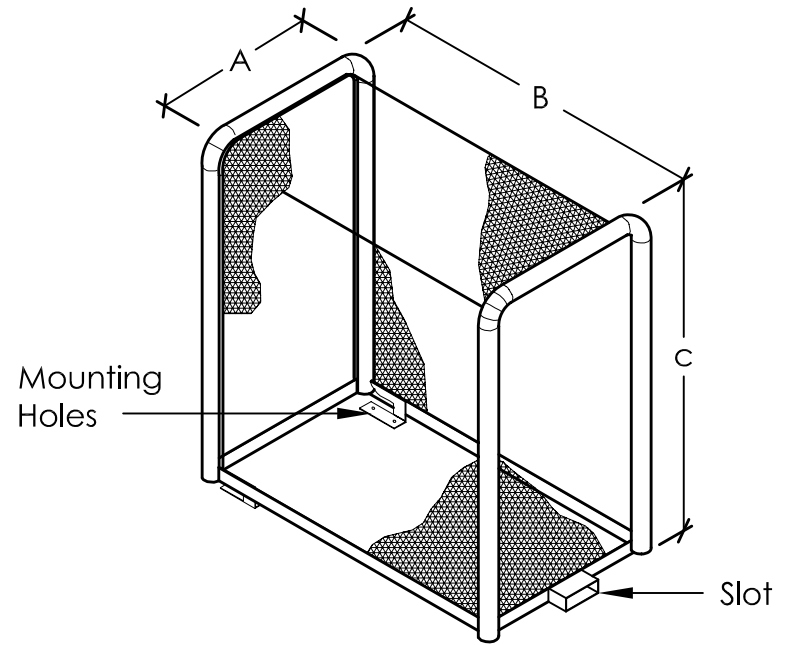


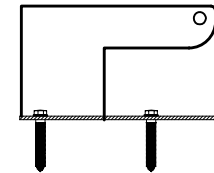
STAINLESS STEEL - Single Swing

PART NO.	A	B	C	*Size	WT.
VB-SS-1218	12"	12"	18"	3/4"	30
VB-SS-2424	12"	24"	24"	3/4"	34
VB-SS-3024	12"	30"	30"	1-11/4"	40
VB-SS-3030	16"	30"	30"	1-11/4"	45
VB-SS-4230	16"	42"	30"	1-1/4-2"	55
VB-SS-4830	16"	48"	30"	1-1/4-2"	60
VB-SS-6623	18"	66"	32"	1-1/4-2"	83

- 1 1/4" Diameter tubular stainless steel frame -
- 1" x 1/8" angle - stainless steel frame
- 1/2" - #13 flattened mesh expanded stainless steel type 304
- (2 ea.) 1/4" stainless steel hinge plates
- 15 Year Warranty
- (1 ea.) lock box (welded to enclosure)
- Powder coating (optional)



Inter-Lock Lock Box



Inter-Lock Hinge Plate

* size backflow that will fit enclosure

PLOT DATE: 06-20-06