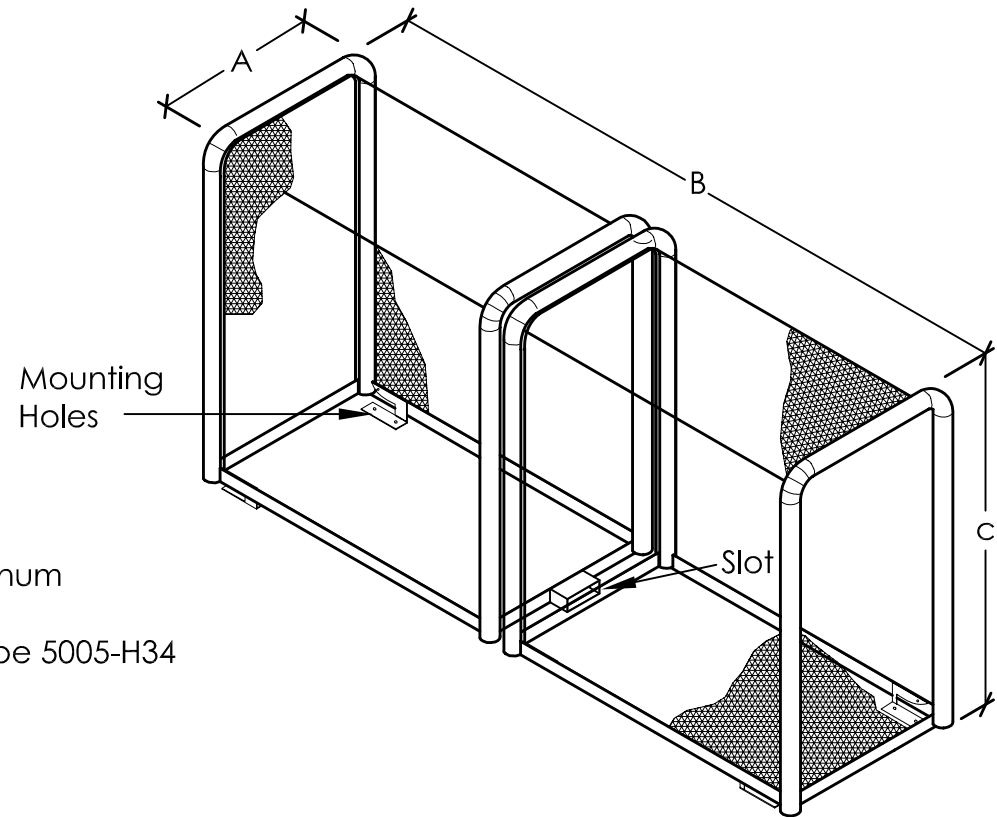
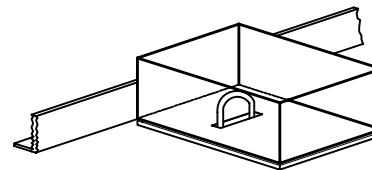


ALUMINUM - Dual Swing

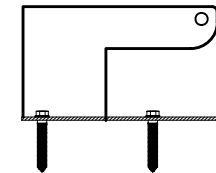
PART NO.	A	B	C	*Size	WT.
VBD-AL-6632	18"	66"	32"	2 1/2-3"	57
VBD-AL-8040	24"	80"	40"	3-6"	71



- 1 1/4" Diameter tubular frame - Type 5052 Aluminum
- 1" x 1/8" angle - frame Type 6061-T6
- 1/2" - #13 flattened mesh expanded metal - Type 5005-H34
- (2 ea.) 1/4" aluminum hinge plates
- 10 Year Warranty
- (1 ea.) lock box (welded to enclosure)
- Powder coating optional



Inter-Lock Lock Box



Inter-Lock Hinge Plate

* size backflow that will fit enclosure