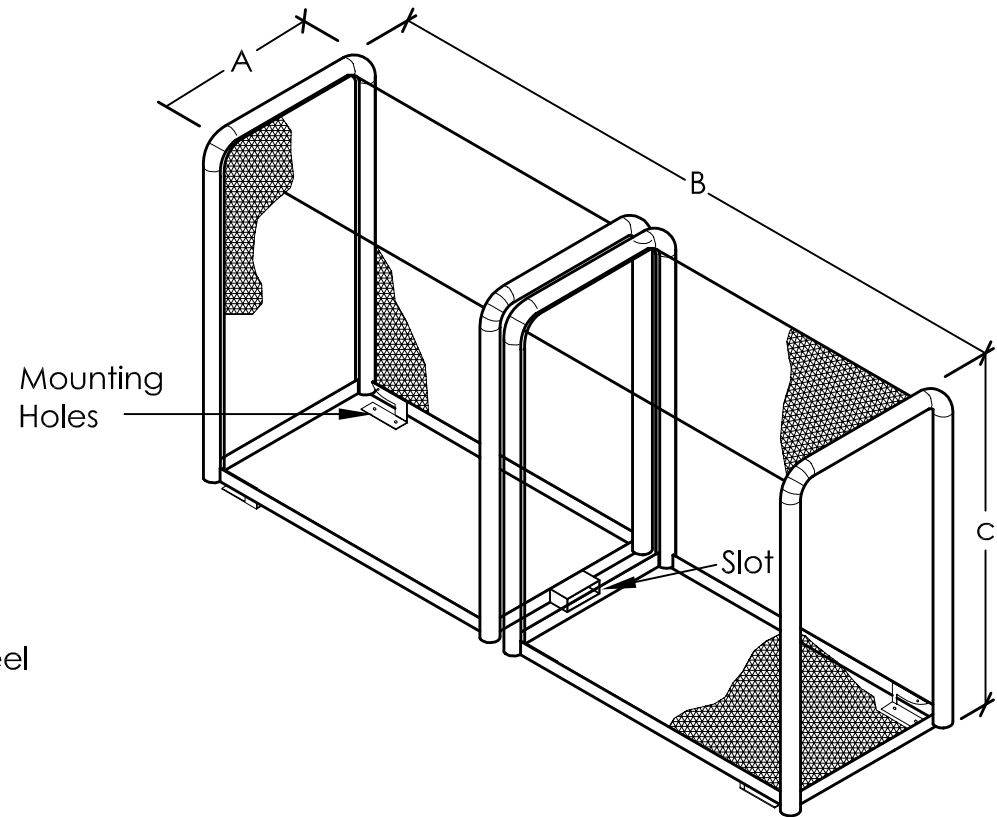
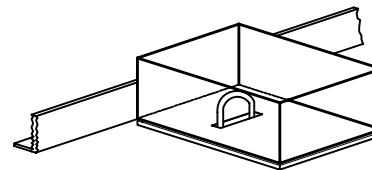


MILD STEEL - Dual Swing

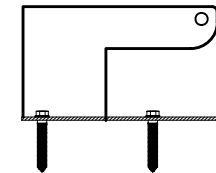
PART NO.	A	B	C	*Size	WT.
VBD-6632	18"	66"	32"	2 1/2-3"	98
VBD-8040	24"	80"	40"	3-6"	122



- 1 1/4" Diameter tubular mild steel frame
- 1" x 1/8" angle - mild steel frame
- 1/2" - #13 flattened mesh expanded metal - steel
- (2 ea.) 1/4" steel hinge plates
- 5 Year Warranty
- (1 ea.) lock box (welded to enclosure)
- Powder coating standard



Inter-Lock Lock Box



Inter-Lock Hinge Plate

* size backflow that will fit enclosure