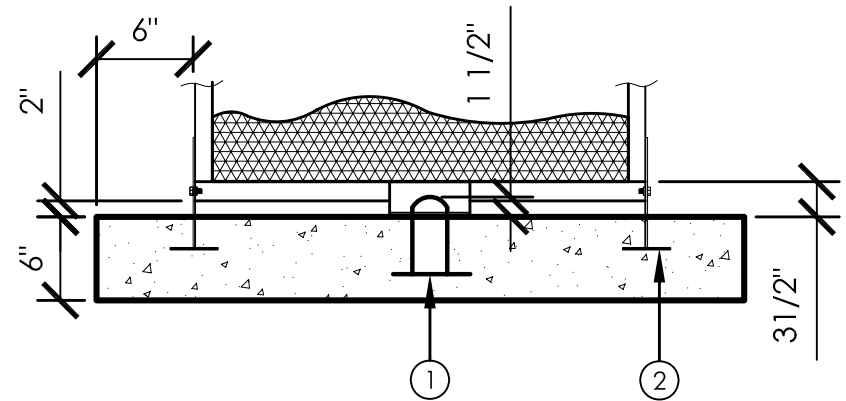


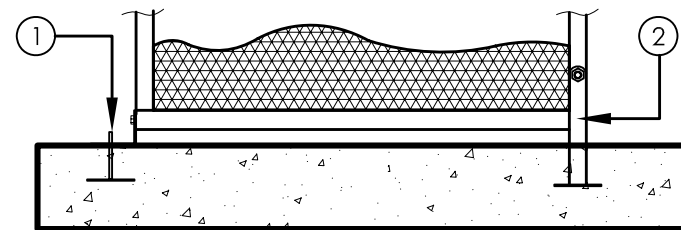
NOTE:

1. All sizes "single swing" enclosure series: Part No. BFE, BFE-SS
2. All sizes "single swing" solid enclosures: Part No. BFESD & BFESD-SS
3. All sizes "single swing" "The Dog House" Part No. DH & DH-SS
4. The installation contractor **MUST** assure the proper position of the "padlock assembly" and "hinge plates" when placing them in the concrete pour to make certain that they align with the "padlock plate" and "bolt holes" on the enclosure.
5. Both the Single Swing and Dual Swing enclosures require a (2") clearance above the poured concrete base to allow for clearance when the enclosure swings open, for other requirements contact the manufacturer.

- ① Padlock assembly loop and plate
- ② Bolt hinge



FRONT VIEW



SIDE VIEW

PLOT DATE: 06-20-06